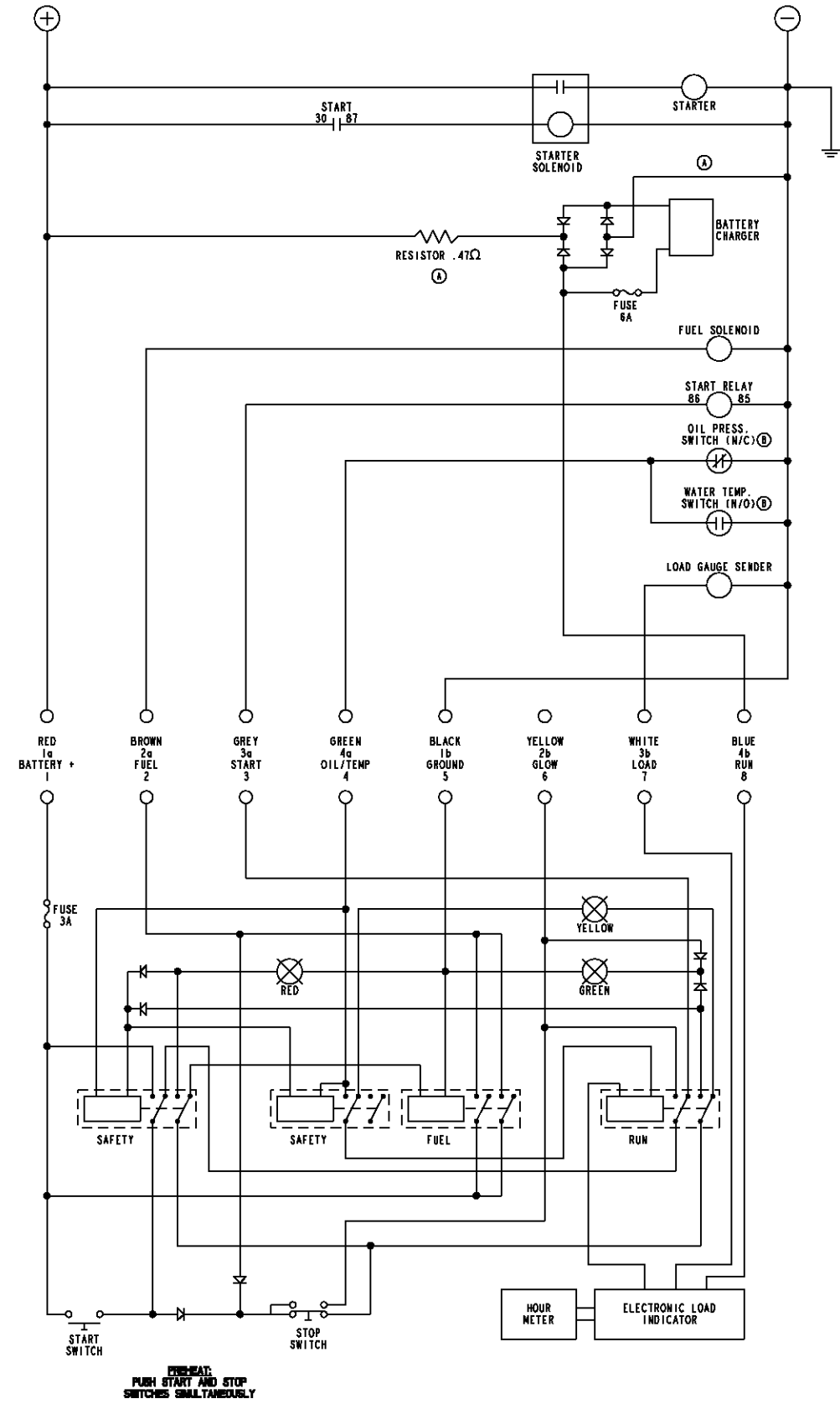
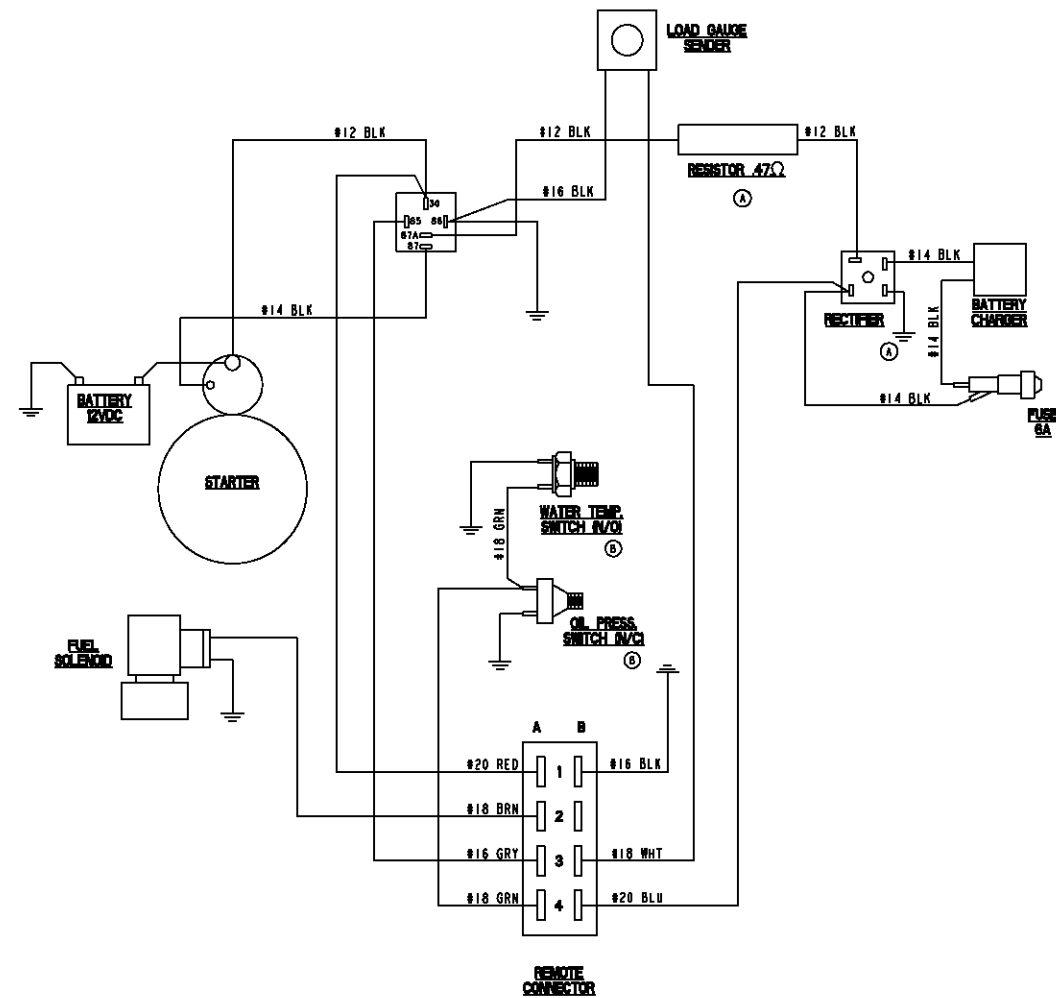


ECO NO.	DATE	REV.	REVISION RECORD	INTX.	DR. BY
4231	9/24/99	A	O. 47 WAS 47; ADDED GROUND		CEU
4574	5/24/06	B	ADDED (N/O) TO WATER TEMP SWITCH; ADDED (N/C) TO OIL PRESS. SWITCH		JEC



TOLERANCES		WESTERBEKE CORPORATION	
UNLESS OTHERWISE SPECIFIED		AVON MA. 02322	
INCHES	MILLIMETERS	TITLE	
1/16	1.5	WIRING DIAGRAM / SCHEMATIC	
1/32	0.75	4.2xW/3.5x BCDT	
1/64	0.375	DATE	REV.
1/32	0.375	07/12/00	1
DIMENSIONS		APPROVED BY	DATE
INCHES		JEC	07/12/00
MILLIMETERS		SCALE	NONE
OTHER APPLICABLE		DRW. NO.	44163
		PAGE	1 OF 1